

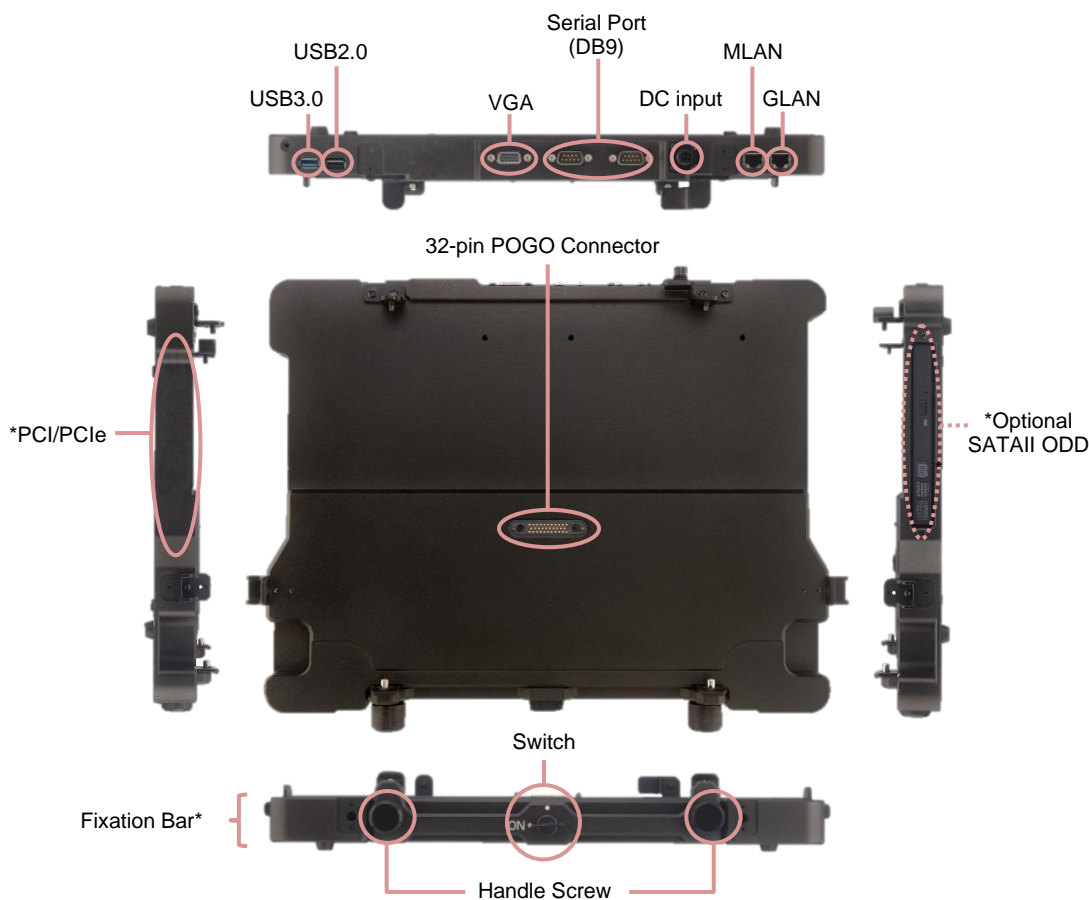
DOCK UNDER

DURS



- For RS and RV series only
- Designed for system unit docking to provide more connectivity possibilities and flexibilities.
- With CE/FCC certified

Appearance



*PCI card should be within 212mm x 98.4mm x 17.4mm (L x W x H) when configured with Optional SATAII ODD.

Features

Electronic Characteristics

DC Input Range	-12~32V with Surge Protector
Connector Type	- Standard: DC-in 2-pin - Optional: Military 3-pin

Physical Characteristics

Dimension	- RS-Series: 386 (L) x 330 (W) x 54 (H) mm - RV-Series: 386 (L) x 331 (W) x 54 (H) mm - The length of fixation bar and position of fixation plates are different in RS and RV series.
Weight	- Approx. 3.2 kg

Environmental Ratings and Certifications

Battery Charging Temperature	- -20°C ~ +55°C
Storage Temperature	- -40°C ~ +70°C
Certifications	- CE/FCC